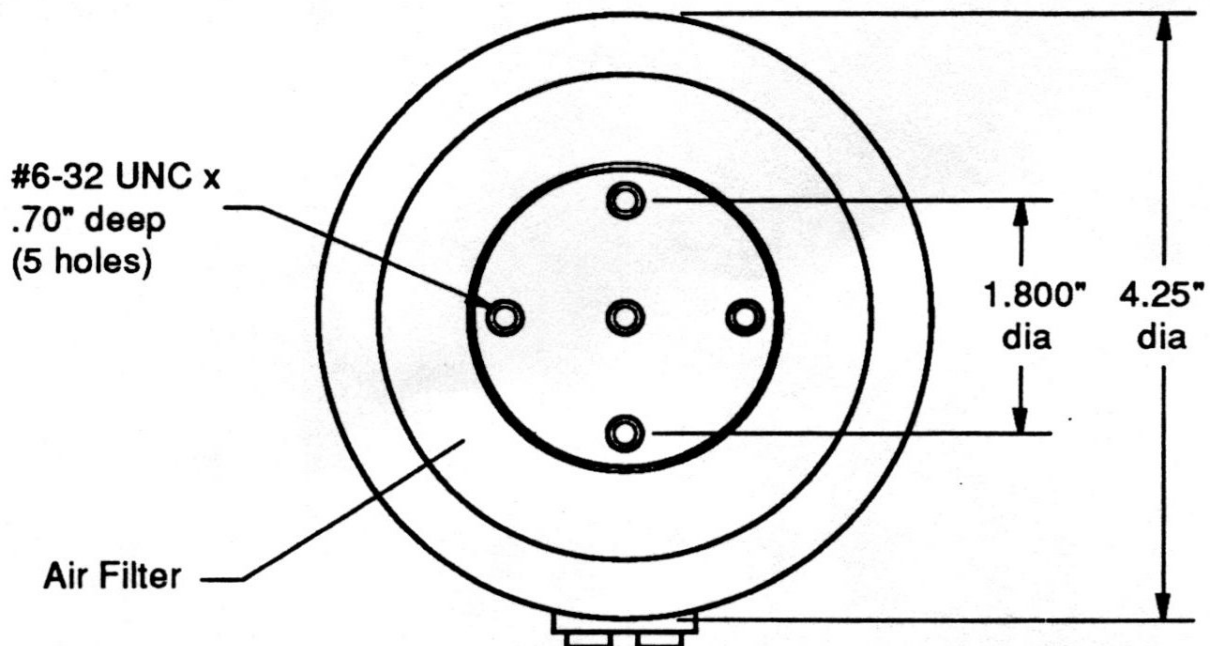


Technische Parameter der Schwingprüfanlage LabWorks LW-126-13-BT

Schwingerreger

Nennkraft	Sinus	57 N
	Rauschen	35 N
	Schock	235 N / 50 msec
Frequenzbereich		DC...8500 Hz
Beschleunigung	Tisch alleine	1250 m/s ²
	0.2 kg Last	360 m/s ²
	0.9 kg Last	110 m/s ²
max. Beschleunigung	bei Resonanz	1500 m/s ²
	bei Schock	1750 m/s ²
Masse Schwingsystem		0.1 kg
Schwingweg p-p		19 mm
Max. Geschwindigkeit		3 m/s
Tischdurchmesser		54.1 mm
Gewicht mit Gestell		5 kg



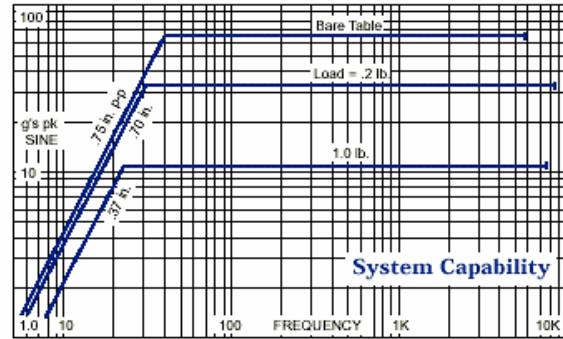
LW-126-13



The LW-126-13 provides the maximum performance from an ET-126 shaker without a cooling vacuum. It has excellent high frequency capabilities and is used for both modal and general purpose testing. Compact size and light weight make it a very portable desktop system. This is a popular choice for medium acceleration level testing.

General Specifications

Sine force	13 lbs force pk
Random force	8.0 lbf rms random
Shock force	21 lbf pk shock
Frequency Range:	DC to 8,500 Hz
Maximum Acceleration:	65 g pk, bare table 32 g pk, 0.2 lb. load 11 g pk, 1 lb. load
Maximum Displacement:	0.75 inch pk-pk, bare table
Cooling:	Amplifier: forced air Shaker: natural convection
Power Requirements:	1,000 VA @ 100, 110, 200, 220, or 240V, single phase 50/60 Hz



PA-138



The Labworks PA-138 Linear Power Amplifier is a high quality, air-cooled, direct-coupled audio amplifier primarily intended for use with small vibration systems. Although this amplifier has been designed to directly drive low impedance loads, it can be used in any application requiring continuous duty, high quality, audio power.

PA-138 Amplifiers feature protection from both over current and over temperature insuring long term reliability. The amplifier has full interlock capabilities as well as peak voltage and RMS current bar graphs to monitor output.

General Specifications

Output voltage	25 V rms
Output current	20 A rms
Max. cont. dissipation	450 W
Frequency response	
Voltage source: DC - 10 KHz	-6 dB
Current source: DC - 2 KHz	-2 dB @ 4 ohms
Max. current gain	22 A/V
Max. voltage gain	30 dB
Cooling:	2-speed fans, automatic
Input impedance	10 k-ohms
Meters	
Volts, pk	19 segment bar graph, 5%
Amps, rms/pk	19 segment bar graph, 5%
Interlock circuit	
External, user	Ext. switch or TTL
Input Power	1,000 VA max.
Voltage	100, 120, 220, 240 V, single phase
Frequency	48 to 62 Hz
Dimensions	3.5"H x 19"W x 13"D
Weight	24 lbs (10.9 Kg)

