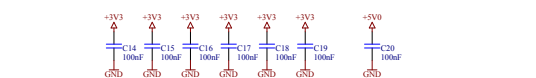
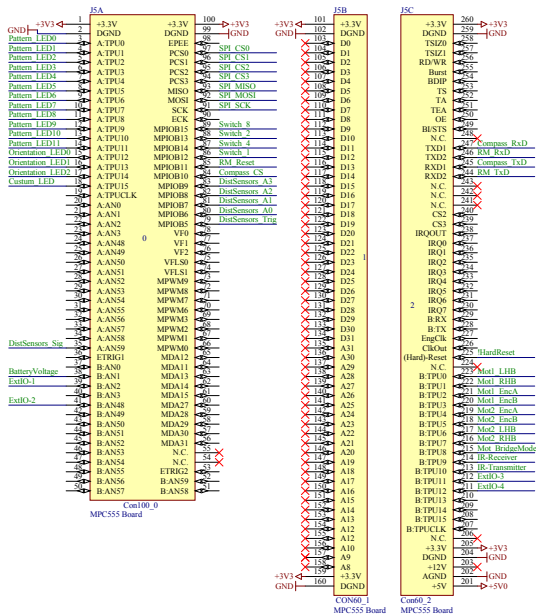
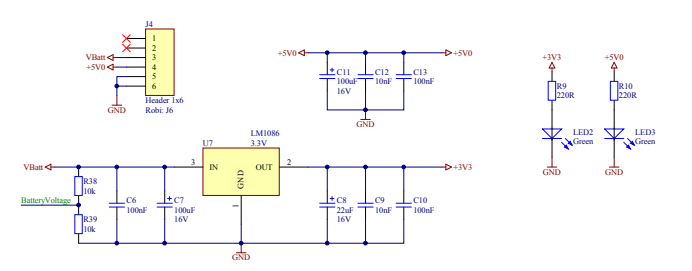


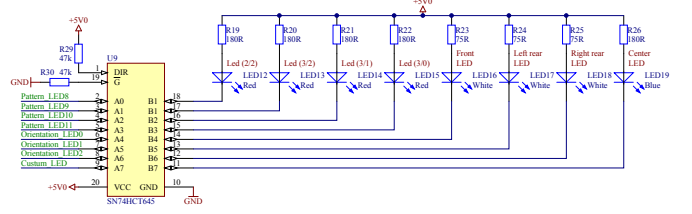
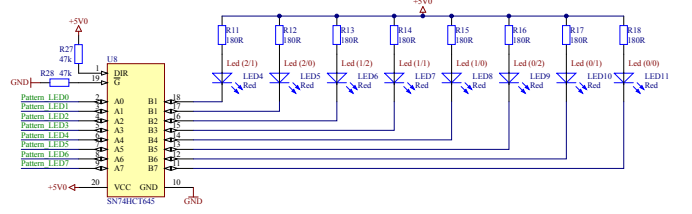
NTB MPC555 Headerboard interface



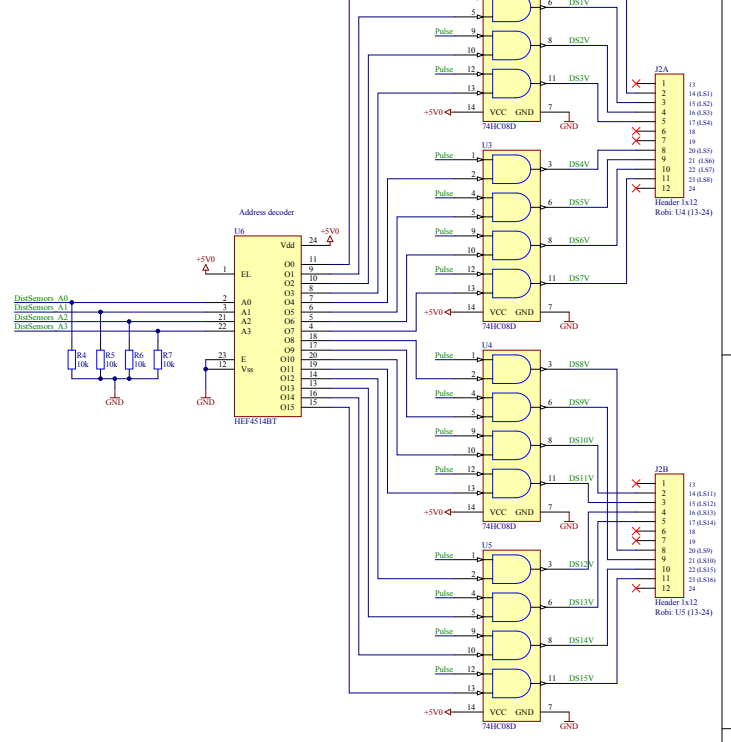
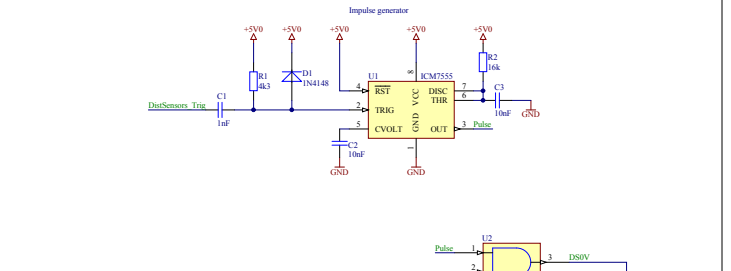
Power Supply



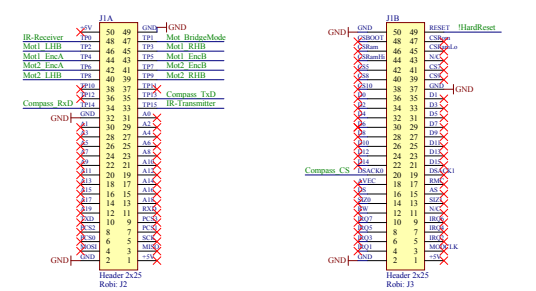
LEDs



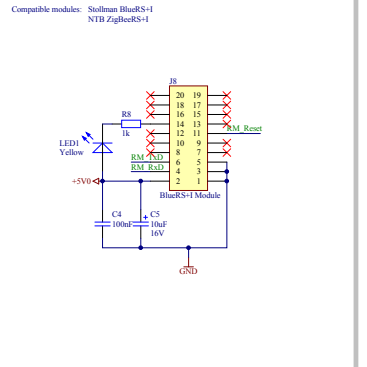
New IR distance sensor circuit



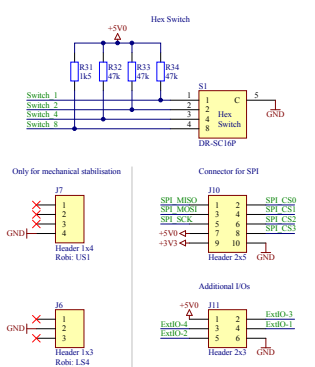
NTB TG-323-Modul interface



Radio Modul Connector



Miscellaneous



Rev.	Date	Name	Description/Changes
0.3a	11.11.10	Zaiger	Value of R31 changed to 1k5 (no changes on the PCB)
0.3	06.07.10	Zaiger	Groundplane redesigned, U8 & U9 replaced, bug-fixes
0.2	19.03.10	Zaiger	Several bug-fixes, J11 added, SC112 swapped
0.1	05.02.10	Zaiger	1. prototype

MPC555 adapter board for Robi 2

Size	Number	Revision
A2	ch.nth.inf.rob2.mpc555-adapter	0.3a

Sheet of: 1
Drawn By: Martin Zaiger

